

Specification sheet LX 1491

Roof drainage systems LORO-DRAINJET® Mini DN 50 60 mm weir height for box gutter from 150 mm

Emergency drainage

Siphonic flow

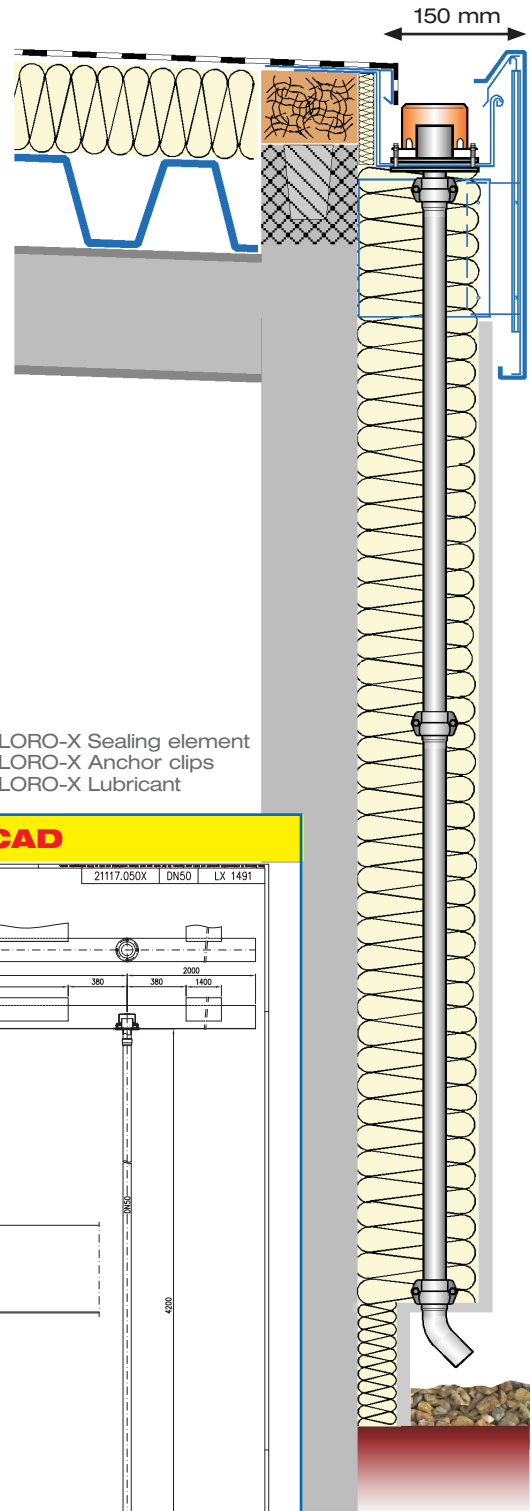
Silent Power

Discharge rate:	8,0 l/sec
Water height:	75 mm
Roof penetration:	-
Diameter:	DN 50
LX-Number:	LX 1491
Weir height:	60 mm
Drain:	not ventilated
Downpipe:	not ventilated
Downpipe height:	4,2 m
Drainage:	on floor
Flangeform:	clamping flange

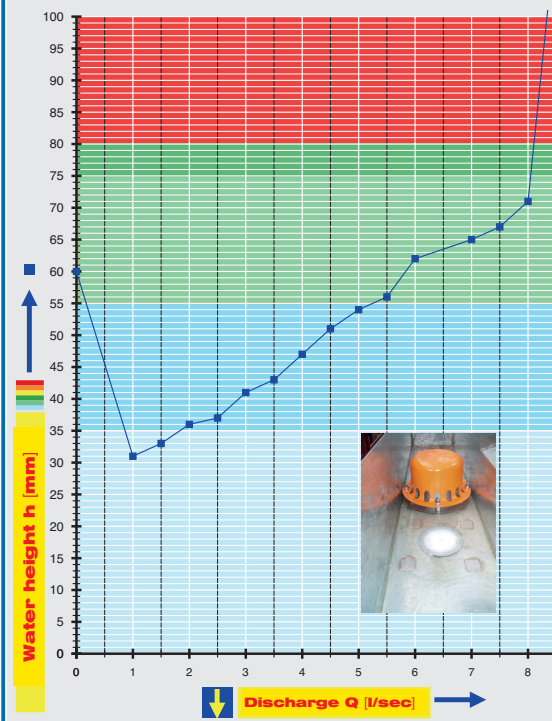
LX 1491 Piece list

1 x Art.-No. 21117.050X , DRAINJET® Mini DN 50
1 x Art.-No. 00320.050X, LORO-X Bend
1 x Art.-No. 01011.050X, LORO-X Pipe with one socket

2 x Art.-No. 00911.050X, LORO-X Sealing element
2 x Art.-No. 00806.050X, LORO-X Anchor clips
1 x Art.-No. 00986.000X, LORO-X Lubricant

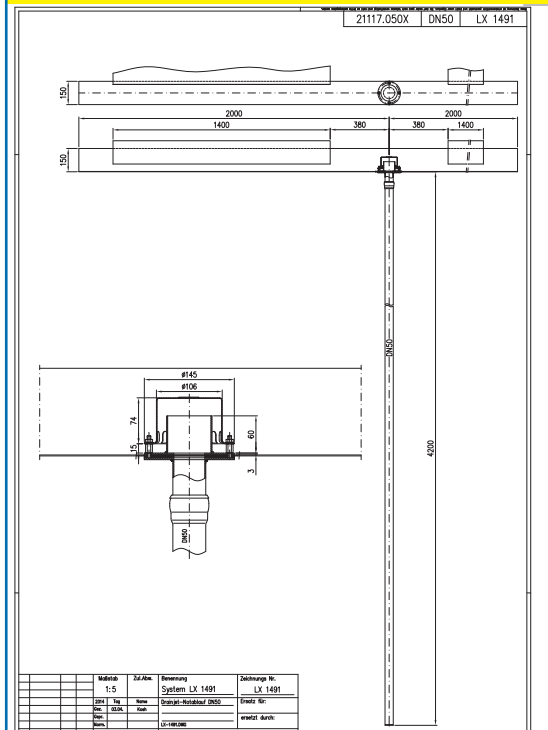


hQ - Head-Discharge curve



Systempower

CAD

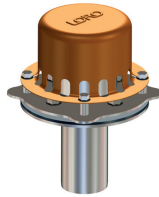


Systemshape

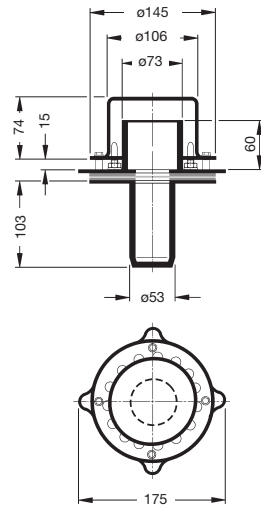
Water height	mm	5	10	15	20	25	30	35	40	45	50	55	60	65	70	75
Discharge	l/sec												5,8	8,0	8,0	8,0
Silent Power																

LORO-DRAINJET® Mini, DN 50

LORO-X DRAINJET® Mini
with clamping flange with
weir height 60 mm,
for Box gutter
Drain: Art.-No. 21117.050X



LX1491-5X



LORO-X Bend 45°,
made of hot-dip galvanised steel, DN 50
Art.-No. 00320.050X
Weight: 0,4 kg



LORO-X Pipe with one socket
made of hot-dip galvanised steel, DN 50
4000 mm long Art.-No. 01011.050X
Weight: 8,6 kg



LORO-X Anchor clip,
made of hot-dip galvanised steel, DN 50
Art.-No. 00806.050X
Weight: 0,3 kg



LORO-X Sealing element
Art.-No. 00911.050X
Weight: 0,6 kg

